



BZE6-7RNT



Enclosed Switches Series E6: Top Plunger Actuator; 1NC 1NO SPDT Snap Action; 0.5 in - 14NPT conduit

Actual product appearance may vary.

Features

- Side or flange mount
- Momentary or maintained contact
- Grounding screw
- High capacity (22 amp) available
- Temperature range -32 °C to +71 °C [-25 °F to +160 °F]
- Zinc Die-Cast housing NEMA 1
- UL Recognized, file #E12252
- CSA Certified, file #LR41372
- NEMA 1, 3, 4 /IP66
- Pre-leaded or connector termination options

Potential Applications

- Packaging equipment
- Special machinery
- Textile machinery
- Conveyors
- Construction machinery and equipment
- Printing trades machinery
- Overhead cranes and hoists

Description

MICRO SWITCH™ E6 (side mount) and V6 (flange mount) switches are offered with or without actuator seal boots. Both have a combination insulator/seal cemented inside the bottom enclosure. Lead washers are used to seal the mounting holes on side mount switches. All side mount switches are installed with #6 screws, except the BZE6-2RN7 (#8 screws). Removal of the bottom enclosure exposes the terminals for easy wiring.

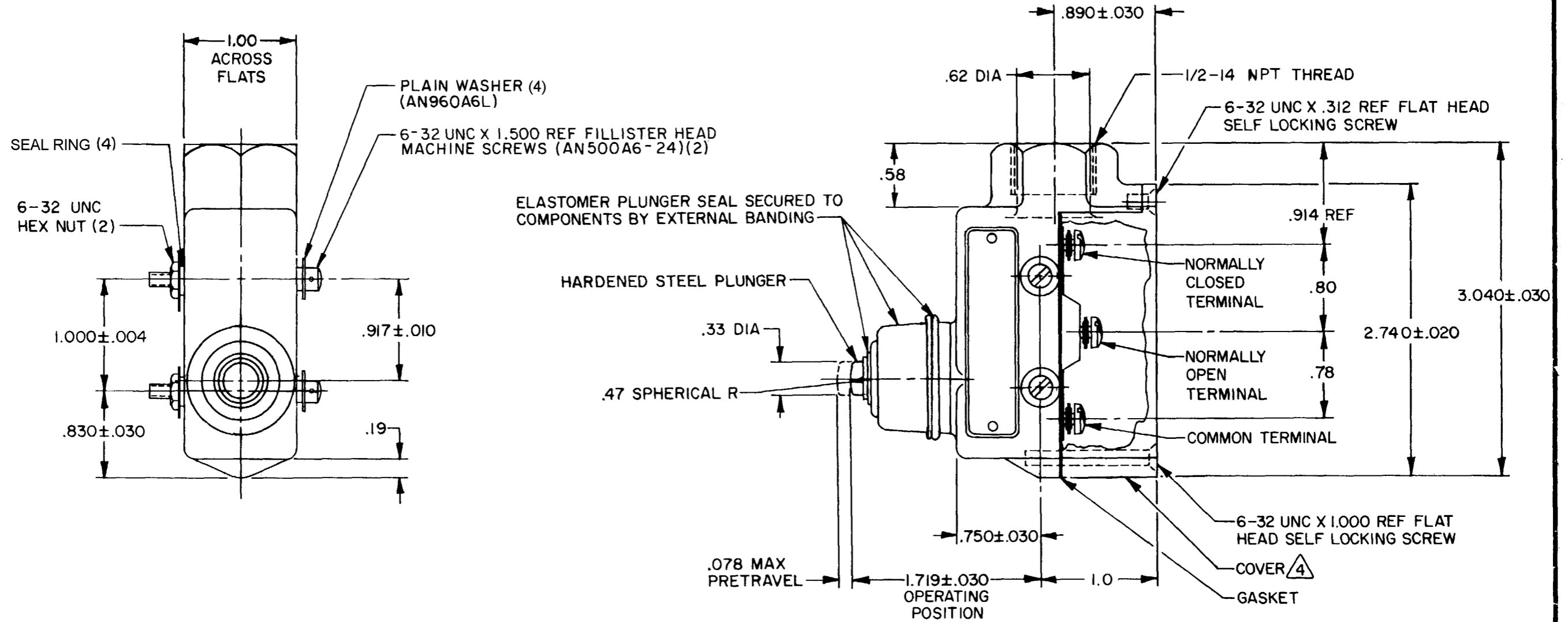
Product Specifications	
Availability	Global
Operating Force (O.F.)	7,78 N to 15,01 N [28 oz to 54 oz]
Release Force (R.F.)	2,78 N min. [10 oz min.]
Pretravel (P.T.)	1,98 mm max. [0.078 in max.]
Overtravel (O.T.)	5,56 mm min. [0.219 in min.]
Differential Travel (D.T.)	0,13 mm max. [0.005 in max.]
Product Type	Enclosed Switches
Actuator	Top Plunger
Circuitry	1NC 1NO SPDT Snap Action
Ampere Rating	15 A Ind./0.5 A Res./0.25 A Res.
Supply Voltage	125 Vac, 250 Vac, 480 Vac/125 Vdc/250 Vdc
Housing Material	Zinc Die-Cast
Termination Type	0.5 in - 14NPT conduit
Housing Type	Split Housing, Side Mount
Series Name	E6/V6
Sealing	NEMA 1, 3, 4 /IP66
Operating Temperature Range	-32 °C to 71 °C [-25 °F to 160 °F]
Comment	Silicone boot seal on plunger; Low temperature construction
UNSPSC Code	302119
UNSPSC Commodity	302119 Switches and controls and relays
Sealed	Industrial

MICRO SWITCH
 FREEPORT, ILLINOIS, U.S.A.
 A DIVISION OF HONEYWELL
 FED. MFG. CODE 91829

SWITCH - ENCLOSED

CATALOG LISTING
BZE6-7RNT

CATALOG LISTING
BZE6-7RNT
 PAGE 1 OF 1
 ISSUE 7
 REVISIONS
 A PR-11355
 29 JUN 82
 B C053191
 16 AUG 84
 C C054958
 9 JAN 85
 D C0-77179A
 17 FEB 94
 E 204566
 14 DEC 01
 F 0017057
 VKR
 23 NOV 05
 RASTER
 FO-5285 1-A
 DRAWN
 K A G
 29 JUN 82
 CHECK
 BP
 23 NOV 05
 CHECK
 PR-11355
 REPLACES



THIS DRAWING COVERS A PROPRIETARY ITEM AND IS THE PROPERTY OF MICRO SWITCH, A DIVISION OF HONEYWELL. THIS DRAWING IS NOT TO BE COPIED OR USED WITHOUT THE APPROVAL OF MICRO SWITCH.

CHARACTERISTICS	ELECTRICAL DATA	SCALE FULL
OPERATING FORCE ----- 28-54 MAX	CONTACT ARRANGEMENT S P D T	DO NOT SCALE PRINT
RELEASE FORCE ----- 10 OZ MIN	15A - 125, <u>250</u> OR 480 VAC	UNLESS OTHERWISE NOTED DIMENSIONS ARE IN INCHES
DIFFERENTIAL TRAVEL ----- .005 MAX	1/2A - 125 VDC; 1/4A - 250 VDC	TOLERANCES ARE:
OVERTRAVEL ----- .219 MIN	CE 1.5A, 240Vac	ONE PLACE (.0) ± .030
BASIC SWITCH REPLACEMENT BZ-7R077T		TWO PLACE (.00) ± .015
		THREE PLACE (.000) ± .005
		ANGLES
		WEIGHT .56 LB

NOTES

- 1 - ZINC ENCLOSURE
- 2 - 6-32 UNC X .219 REF TERMINAL SCREW AND LOCKWASHER (3)
- 3 - SWITCH WILL PERFORM SATISFACTORILY IN TEMPERATURES TO -65°F
- 4 - FURNISHED UNASSEMBLED
- 5 - SEAL RATING: NEMA1,3
IP54